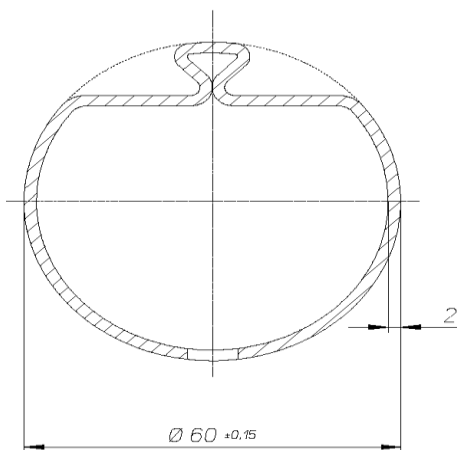


**Bekaclip® Post**

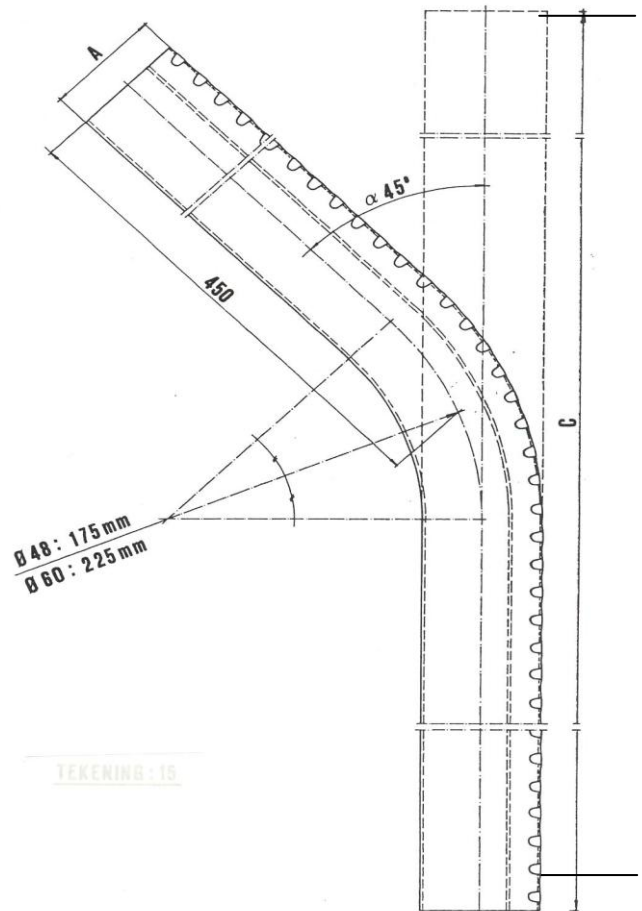
**1 Scope**

The Bekaclip® post is made out of continuously hot-dip zinc coated steel sheet (Sendzimir) and subsequently polyester coated see figure 1.

There are two options: straight Bekaclip® post or Bekaclip® post with bent arm figure 2.  
(Extension bent at an angle from the vertical)



**Figure 1**



**Figure 2**

**Technical Data Sheet**  
**TDS-05-01****Bekaclip® Post****1.1 Normative references**

- EN 10346: Continuously hot-dip coated steel flat products - Technical delivery conditions.
- ISO 9227: Corrosion tests in artificial atmospheres; salt spray tests.
- ISO 16474-3: Paints and varnishes – Methods of exposure to laboratory light sources – Part 3: Fluorescent UV lamps.

**2 Raw material****2.1 Steel used for Bekaclip® post**

Chemical composition: See table 1:

<b>Table 1: chemical composition</b>	
Element	%
C	≤ 0,20
Si	Max. 0,60
Mn	Max. 1,70
P	Max. 0,12
S	Max. 0,045

The steel is in accordance with the European Standard EN 10346.

The designation of the steel is: S250.

The steel strip is continuously hot-dip galvanized, in accordance with EN 10346 Z275.

If DX51D or S220 quality is used in accordance to EN 10346, the yield strength shall be minimum 235 N/mm<sup>2</sup>.**2.2 Polyester**

The polyester is free of lead and cadmium

Page: 2 / 8  
Date: 02-12-2016  
Replaces edition :  
06-07-2015Made up by:  
Werner Frans  
Group Quality DepartmentApproved by:  
Willy Naesens  
Group Quality Manager

## Bekaclip® Post

### 3 Properties

#### 3.1 Dimensions and tolerances

Diameter of the circumferential circle, thickness and height of the post: See tables below

Straight Bekaclip® post: See table 2

Diameter circumferential circle (mm)	38 ± 0,15 <sup>(4)</sup>	44 ± 0,15 <sup>(1)</sup>	48 ± 0,15 <sup>(2)</sup>	48 ± 0,15 <sup>(2)</sup>	60 ± 0,15	70 ± 0,15 <sup>(3)</sup>
Thickness (mm)	1,50 ± 0,15	1,00 ± 0,10	1,20 ± 0,15	1,50 ± 0,15	2,00 ± 0,20	2,00 ± 0,20
Height (mm)						
700 ± 5	-	-	X	-	-	-
1100 ± 5	-	-	X	-	-	-
1300 ± 5	-	-	X	-	-	-
1500 ± 5	X	X	X	-	-	-
1700 ± 5	-	X	X	-	-	-
2000 ± 5	X	X	X	-	-	-
2300 ± 7,5	-	-	-	X	X	-
2500 ± 7,5	-	-	-	X	X	-
2700 ± 7,5	-	-	-	X	X	MTO
3000 ± 7,5	-	-	-	X	X	-
3500 ± 7,5	-	-	-	-	X	-
2700 ± 7,5	-	-	-	-	-	-
6600 ± 7,5 <sup>(5)</sup>	-	-	-	-	X	X

(1) Actual 43,7 mm

(2) Actual 47,6mm

(3) Only to obtain as MTO (Made to order)

(4) Other post heights for diameter of the circumferential circle 38 are available on request.

(5) Without rills, used for Y-extensions

X Means stock product or MTS (Made to stock)

## Bekaclip® Post

Bekaclip® post with bent arm: See table 3

<b>Table 3: Bekaclip® post with bent arm</b>		
Diameter circumferential circle (mm)	48 ± 0,15 <sup>(2)</sup>	60 ± 0,15
Thickness (mm)	1,50 ± 0,15	2,00 ± 0,20
Height (mm) <sup>(1)</sup>		
3100 ± 7,5	X	-
3250 ± 7,5	-	X
3600 ± 7,5	X	X

<sup>(1)</sup> Is the height of the corresponding straight Bekaclip® post

<sup>(2)</sup> Actual: 47,6

On the Bekaclip® post a base plate made out of electro galvanized steel can be welded. This post is available as MTO on request.

Other dimensions not mentioned in this technical data sheet can be found on the technical drawings, available on request.

### 3.2 Mechanical Characteristics

Moment of inertia I of the post, section modules I/V of the post: See table 4.

<b>Table 4: Mechanical Characteristics of the Bekaclip® post</b>		
Diameter (mm)	Plate thickness (mm)	I/V (cm <sup>3</sup> )
38	1,5	1,32
44	1	1,30
48	1,2	1,85
48	1,5	2,29
60	2	4,92
70 <sup>(1)</sup>	2	6,64

<sup>(1)</sup> Only to obtain as MTO.

Page: 4 / 8 Date: 02-12-2016 Replaces edition : 06-07-2015	Made up by: Werner Frans Group Quality Department	Approved by: Willy Naesens Group Quality Manager
---	---	--

Technical Data Sheet  
TDS-05-01

## Bekaclip<sup>®</sup> Post

### 3.3 Tensile strength

The strength is specified by :

- Tensile strength: Min. 330 N/mm<sup>2</sup>
- Yield strength: Min. 235 N/mm<sup>2</sup>

## 4 Coating

### 4.1 Metallic coating

Zinc coating:

Min. of 275 g/m<sup>2</sup> as an average of 3 measurements and double side determined.

In accordance with EN 10346. (Z275)

### 4.2 Polyester coating

**Thickness:** Min. 60 µm (Average of 10 measurements done on 1 Bekaclip<sup>®</sup> post)

**Colour:** Green RAL 6005, RAL 9010 and BF7016M.

Other colours are available and can be found in the technical data sheet TDS-99-03. (Polyester coating)

**Adhesion:**

Make two scratches by means of a hard metal pointed graving tool, penetrating through the metal and intersecting at an angle of 30° ± 5°. Lift a 30° peak with the point of a knife. The coating shall not be able to be lifted from the metal by more than 5 mm.

**Resistance of the polyester to saltspray:**

Make a diagonal cross by means of a hard metal pointed graving tool, penetrating through the metal. Test in accordance with ISO 9227.

After 1000 h there shall be no corrosion beneath the polyester or loss of adhesion in excess of 10 mm from the diagonals.

**Resistance against UV:** In accordance with ISO 16474-3.

After 1000 h QUV and after washing with pure water, the colour difference, expressed as  $\Delta E^*$  is maximum 3.

Loss of gloss: After 1000 hours max. 50 % of the original one, measured after being washed with pure water.

Page: 5 / 8

Date: 02-12-2016

Replaces edition :  
06-07-2015

Made up by:

Werner Frans  
Group Quality Department

Approved by:

Willy Naesens  
Group Quality Manager

## Bekaclip® Post

### 5 Packaging

The Bekaclip® posts are packed on a wooden pallet, protected by UV resistible shrink or stretch foil.

The posts are packed together in bundles, see table 5.  
 UV resistible shrink foil shall be used around each pack of posts.  
 Each pack of posts shall have it's own Betafence label.

An identification label with the Sapcode, product description, number of posts and color shall be put on each side of the pallet.

**Table 5: Form of delivery and packing (Bekaclip® post without bent arm colour RAL 6005)**

Diameter + thickness (mm)	Height of the post (cm)	Packed per	Number packs per layer	Number of layers per pallet	Number of posts per pallet	Dimensions of the pallet L x W x H (cm)	Weight of the post (kg)	Sapcode RAL 6005
38 x 1,50	150	5	8	6	240	152 x 100 x 72	2,52	7034681
38 x 1,50	200	5	8	6	240	202 x 100 x 72	3,36	7034682
44 x 1,00	150	5	7	5	175	160 x 105 x 71	1,85	7008679
44 x 1,00	170	5	7	5	175	180 x 105 x 71	2,09	7007174
44 x 1,00	200	5	7	5	175	210 x 105 x 71	2,46	7008680
48 x 1,20	70	5	14	5	350	145 x 100 x 46	1,12	7059484
48 x 1,20	110	5	14	5	350	120 x 104 x 115	1,76	7059482
48 x 1,20	130	5	7	5	175	132 x 100 x 66	2,08	7059481
48 x 1,20	150	5	7	5	175	160 x 105 x 75	2,40	7059514
48 x 1,20	170	5	7	5	175	180 x 105 x 75	2,72	7059515
48 x 1,20	200	5	7	5	175	210 x 105 x 75	3,20	7059516
48 x 1,50	230	5	7	5	175	240 x 105 x 75	4,54	7032739
48 x 1,50	250	5	7	5	175	260 x 105 x 75	4,93	7032723
48 x 1,50	270	5	7	5	175	280 x 105 x 75	5,33	7032741
48 x 1,50	300	2	10	7	140	310 x 105 x 75	5,93	7008683
60 x 2,00	230	2	8	6	96	240 x 105 x 65	7,35	7008684
60 x 2,00	250	2	8	6	96	260 x 105 x 65	8,00	7008685
60 x 2,00	270	2	8	6	96	280 x 105 x 65	8,63	7008686
60 x 2,00	300	2	8	6	96	310 x 105 x 65	9,60	7008687
60 x 2,00	350	2	8	6	96	360 x 105 x 65	11,20	7008688
70 x 2,00	270	1	12	6	72	280 x 105 x 71	9,76	7008690

- Diameter 70 x 2,00 is only to obtain as MTO
- Other post heights for diameter 38 are available on request.

Page: 6 / 8  
 Date: 02-12-2016  
 Replaces edition :  
 06-07-2015

Made up by:  
 Werner Frans  
 Group Quality Department

Approved by:  
 Willy Naesens  
 Group Quality Manager

**Technical Data Sheet  
TDS-05-01**

## Bekaclip® Post

**Table 6: Form of delivery and packing (Bekaclip® post without bent arm colour RAL 9010)**

Diameter + thickness (mm)	Height of the post (cm)	Packed per	Number packs per layer	Number of layers per pallet	Number of posts per pallet	Dimensions of the pallet L x W x H (cm)	Weight of the post (kg)	Sapcode RAL 9010
48 x 1,20	70	5	14	5	350	145 x 100 x 46	1,12	7059485
48 x 1,20	110	5	14	5	350	120 x 104 x 115	1,76	7059483
48 x 1,20	150	5	7	5	175	160 x 105 x 75	2,40	7059517
48 x 1,20	170	5	7	5	175	180 x 105 x 75	2,72	7059480
48 x 1,20	200	5	7	5	175	210 x 105 x 75	3,20	7059479
48 x 1,50	230	5	7	5	175	240 x 105 x 75	4,54	7032749
48 x 1,50	250	5	7	5	175	260 x 105 x 75	4,93	7032746

**Table 7: Form of delivery and packing (Bekaclip® post without bent arm colour BF 7016M)**

Diameter + thickness (mm)	Height of the post (cm)	Packed per	Number packs per layer	Number of layers per pallet	Number of posts per pallet	Dimensions of the pallet L x W x H (cm)	Weight of the post (kg)	Sapcode RAL BF 7016M
38 x 1,50	200	5	8	6	240	202 x 100 x 72	3,36	7054115
48 x 1,20	70	5	14	5	350	145 x 100 x 46	1,12	7059487
48 x 1,20	110	5	14	5	350	120 x 104 x 115	1,76	7059488
48 x 1,20	130	5	7	5	175	132 x 100 x 66	2,08	7059489
48 x 1,20	150	5	7	5	175	160 x 105 x 75	2,40	7059490
48 x 1,20	170	5	7	5	175	180 x 105 x 75	2,72	7059492
48 x 1,20	200	5	7	5	175	210 x 105 x 75	3,00	7059493
48 x 1,50	230	5	7	5	175	240 x 105 x 75	4,95	7040378
48 x 1,50	250	5	7	5	175	260 x 105 x 75	5,38	7040379
60 x 2,00	230	2	8	6	96	240 x 105 x 65	7,35	7035205
60 x 2,00	250	2	8	6	96	260 x 105 x 65	8,00	7035206

- Other post heights for diameter 38 are available on request.

Page: 7 / 8  
Date: 02-12-2016  
Replaces edition :  
06-07-2015

Made up by:  
Werner Frans  
Group Quality Department

Approved by:  
Willy Naesens  
Group Quality Manager

<b>Technical Data Sheet</b> <b>TDS-05-01</b>
<b>Bekaclip® Post</b>

**Table 8: Form of delivery and packing (Bekaclip® post with bent arm colour RAL 6005)**

Diameter + thickness (mm)	Height of the post (cm)	Packed per	Number packs per layer	Number of layers per pallet	Number of posts per pallet	Dimensions of the pallet L x W x H (cm)	Weight of the post (kg)	Sapcode RAL 6005
48 x 1,50	310	2	10	6	120	325 x 105 x 58	6,13	7008823
48 x 1,50	360	2	10	6	120	375 x 105 x 58	7,10	7008824
60 x 2,00	325	2	8	5	80	340 x 105 x 58	10,40	7008825
60 x 2,00	360	2	8	5	80	375 x 105 x 58	11,53	7008826

## 6 Accessories

### 6.1 Post Cap

Each post is provided with a cap out of UV resistible plastic.

Page: 8 / 8 Date: 02-12-2016 Replaces edition : 06-07-2015	Made up by: Werner Frans Group Quality Department	Approved by: Willy Naesens Group Quality Manager
---	---	--

*The information and data given are typical for the product described . However technical changes are possible without any notice.*